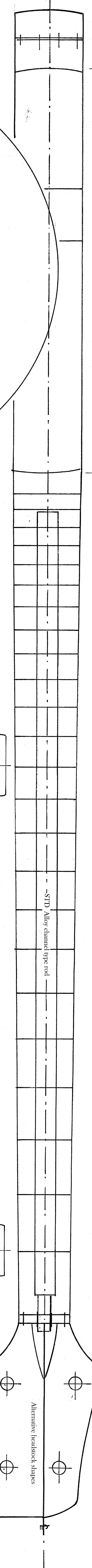


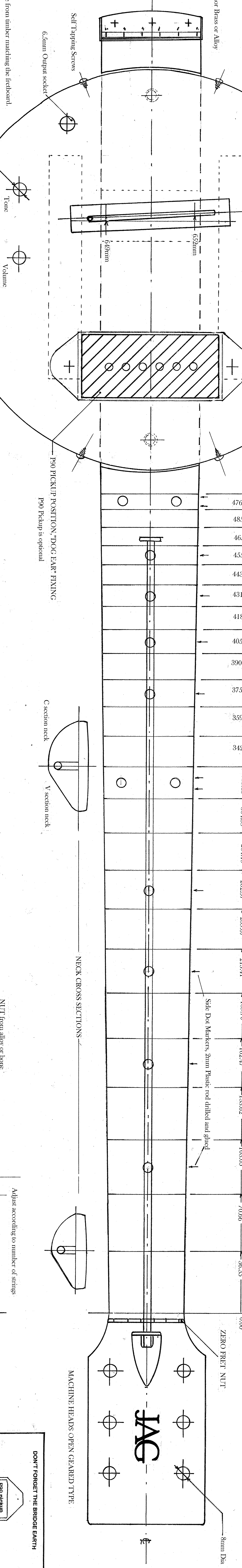
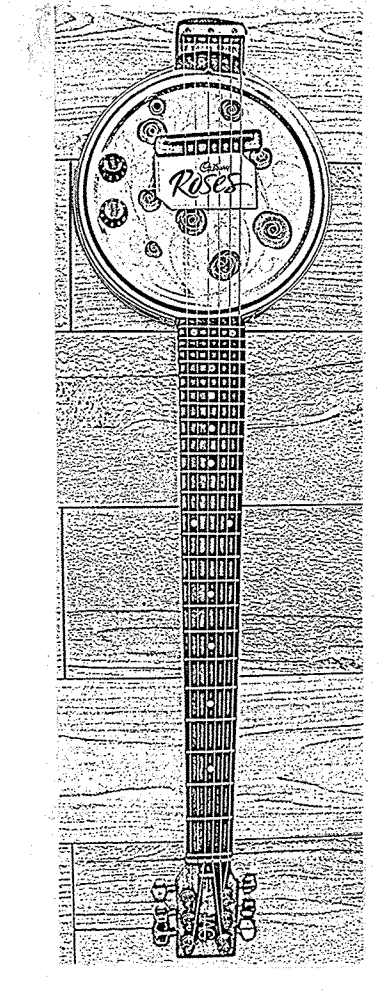
THIS DIMENSION CAN BE ADJUSTED TO MATCH THE TIN USED.

4 STRING GUITTAR/BANDJO NECK



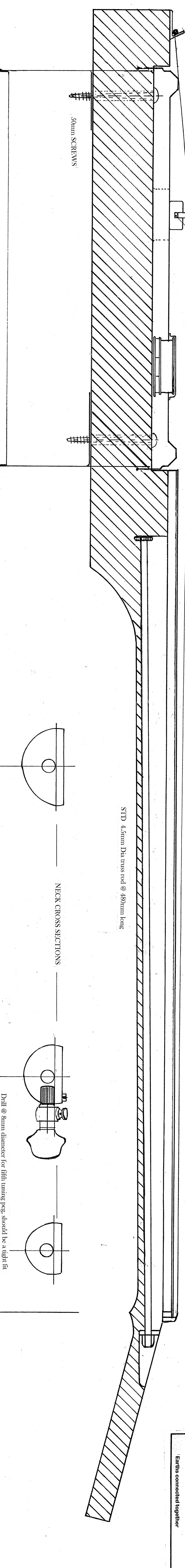
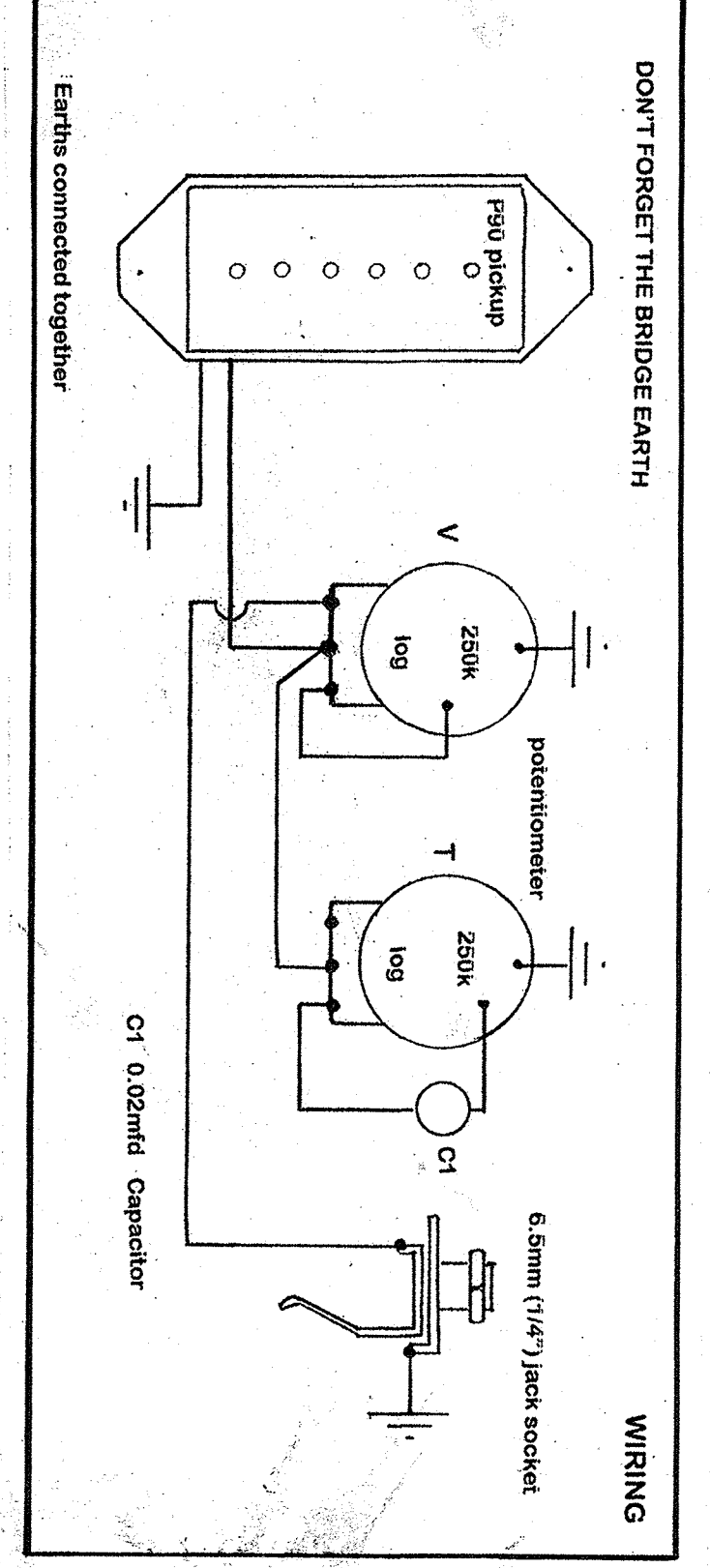
PERFORM AS WINGE, ALTHOUGH ANY HARDWOOD CAN BE USED.
 PREPARE STD ACUSTIC GAUGE LIGHT TO MEDIUM.
 29.5" scale length

ZERO fret NUT
 8mm Dia



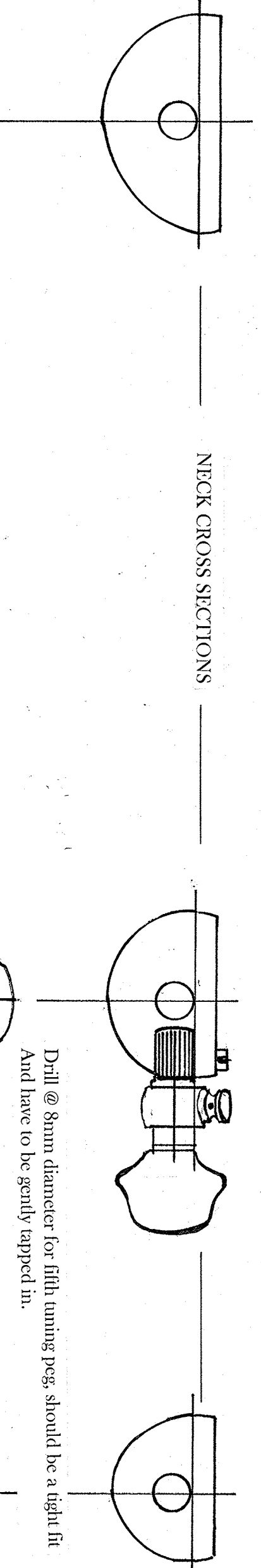
BRIDGE IS MADE FROM MAPLE MATCHING THE FRETBOARD.
 PICKUPS FOR SIMILAR ROUND SWEET OR HUNGARIAN TIN.
 PIZZO UNDER SADDLE TYPE PICKUP.

MAHOGANY NECK ALTHOUGH ANY HARDWOOD WILL DO.

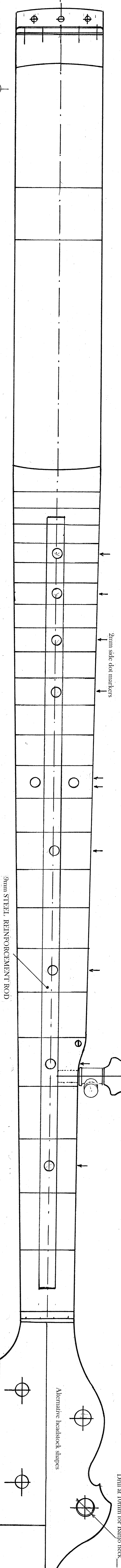


STD 4.5mm Dia brass rod @ 480mm long

NECK CROSS SECTIONS

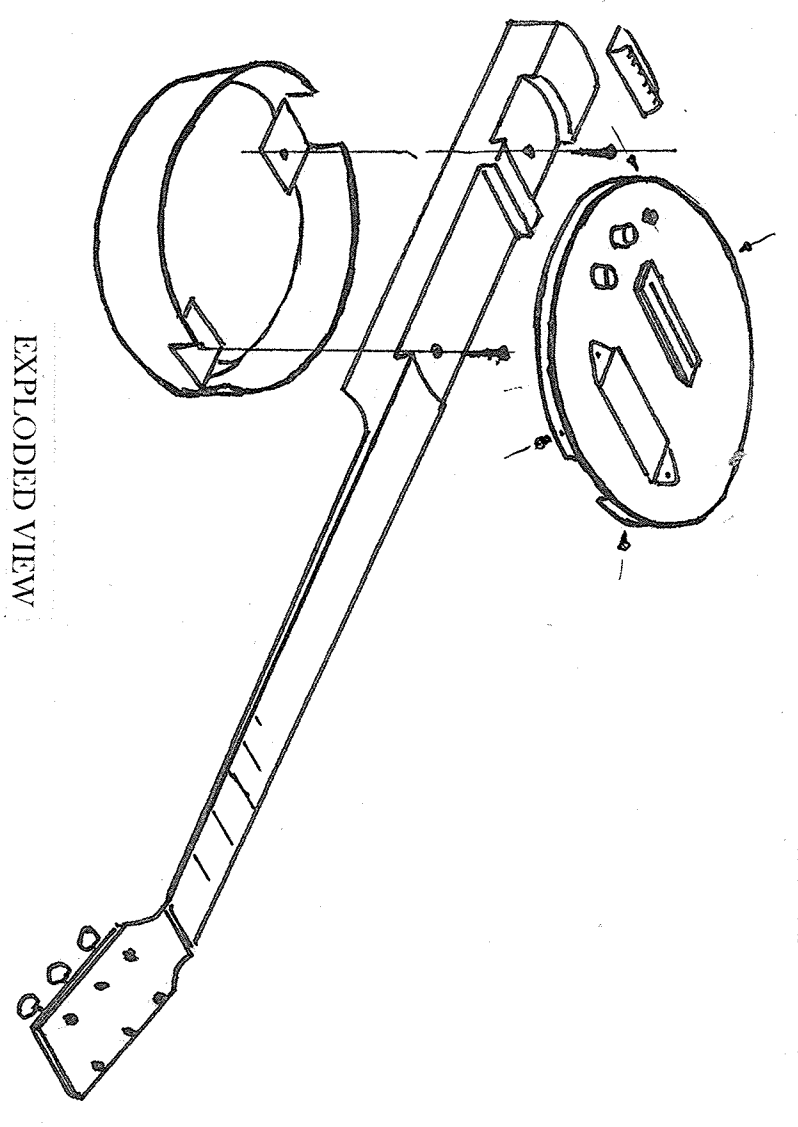


Drill @ 8mm diameter for fifth tuning peg. Should be a tight fit. Axial hole to be gently tapered in.

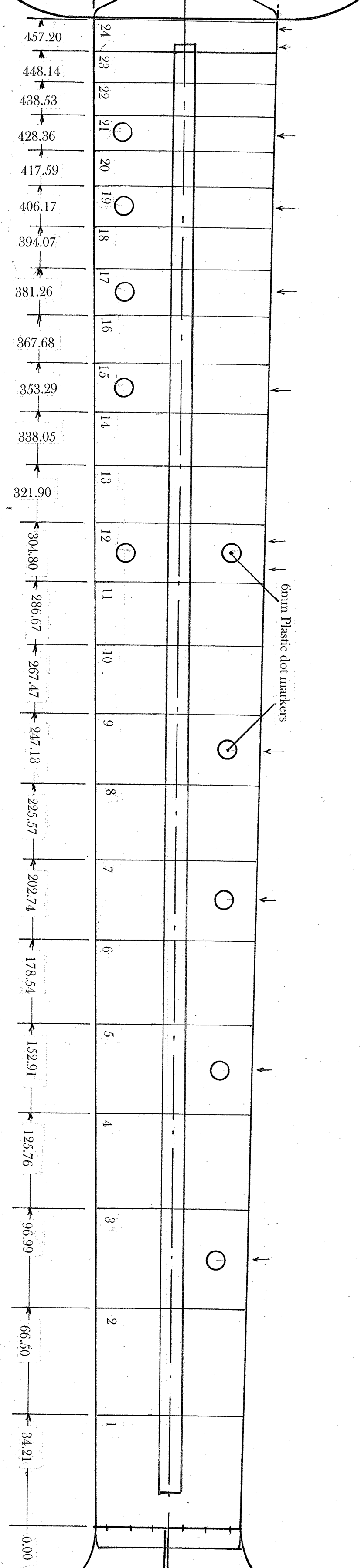


ALTERNATIVE HEADSTOCK SHAPES

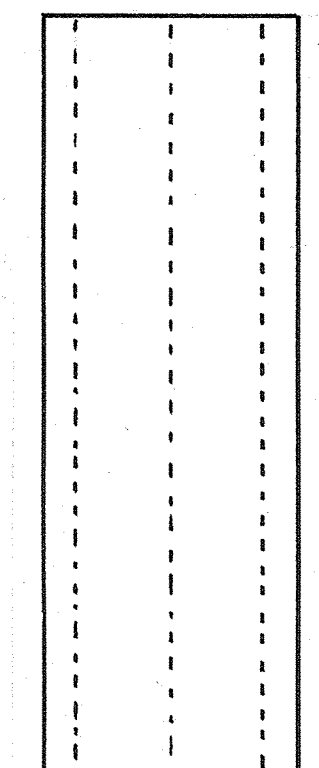
ALWAYS OBTAIN THE HARDWARE, PICKUPS ETC BEFORE STARTING. SOME DIMENSIONS VARY ACCORDING TO BRAND!



EXPLODED VIEW

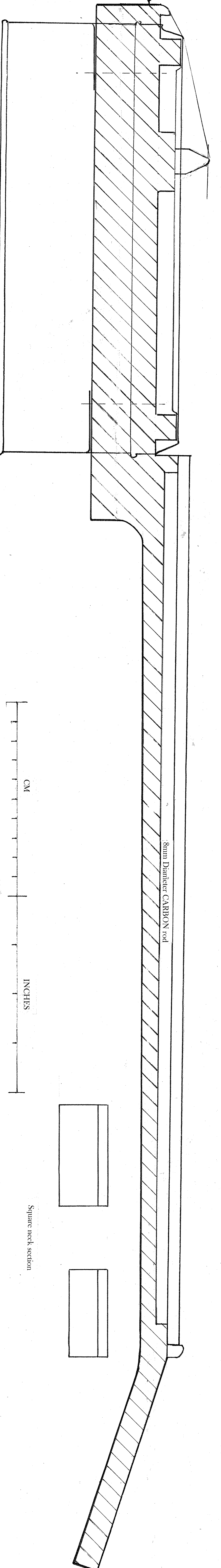


TIN TOP BRACING, FRONT VIEW



TIN TOP BRACE TEMPLATE

QUALITY STREET OCTAGONAL TIN



CM

INCHES

SCALE

Square neck section

"TIN PLATE NATIONAL"
 PLANS TO BUILD 4 AND 6 STRING GUITAR
 AND 4 OR 5 STRING BANDJO. 29.5" or 25.5" scale
 Acoustic, electro, acoustic or straight electric.
 PRINTED AT 1:1 SCALE, ACTUAL SIZE.
 PLAN No. 045
 Designed by John Anthony Blakey 2012
 Copyright 2012 Copyright by JOHN ANTHONY GUITARS

THIS DESIGN IS NOT BEING SOLD TO ANY OTHER PARTY.
 IF YOU WANT TO BUILD THIS GUITAR, YOU MUST BUY THE
 ORIGINAL DESIGN FROM JOHN ANTHONY GUITARS.
 www.johanthonyguitars.com

JAGuitars.com
 John Anthony Blakey
 Take a look at our youtube channel, job4000, for Demo's
 instruction video's and slide shows