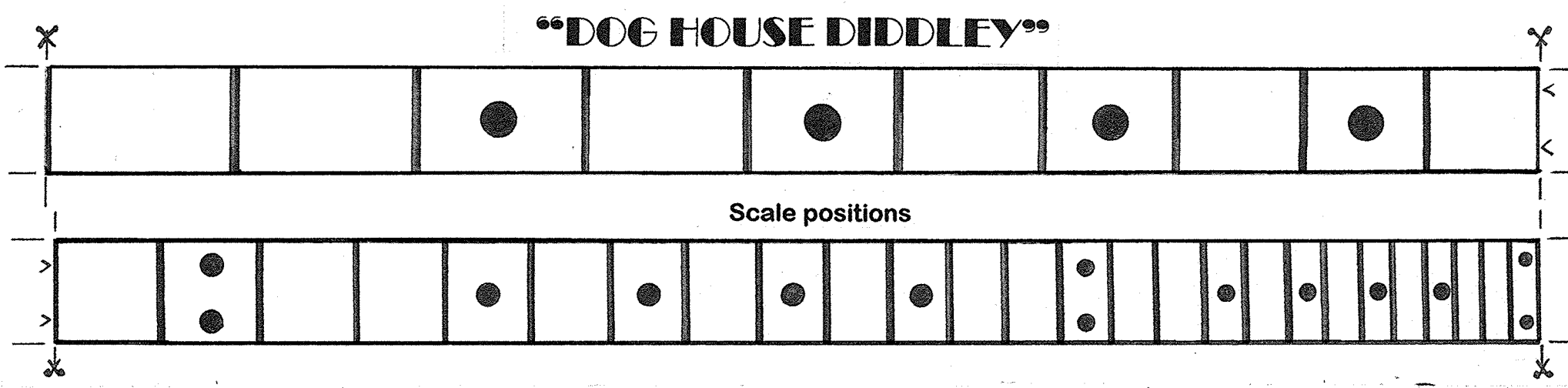
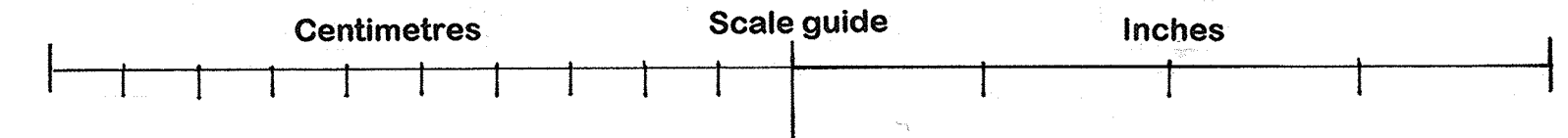


"DOG HOUSE DIDDLEY"

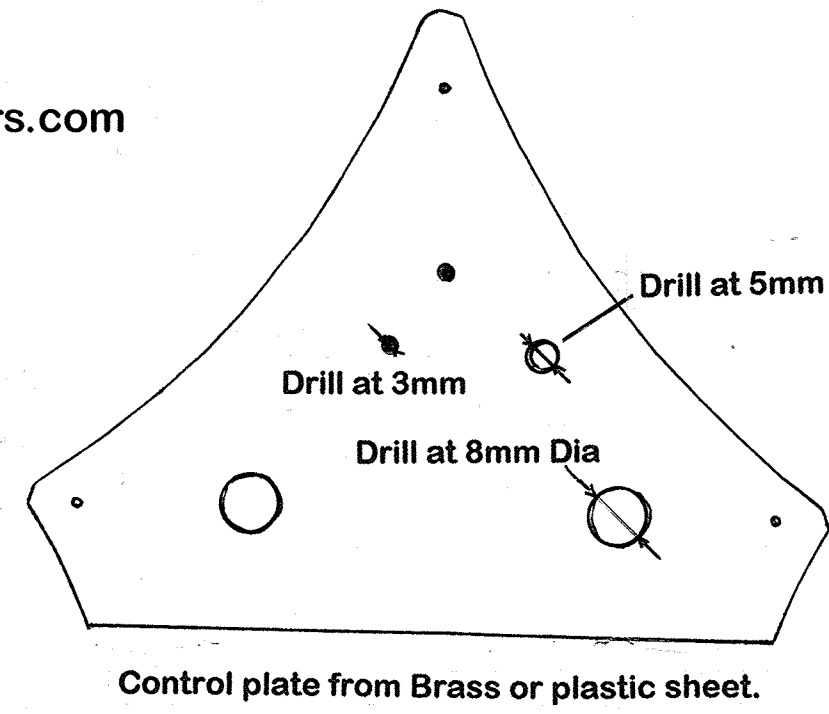
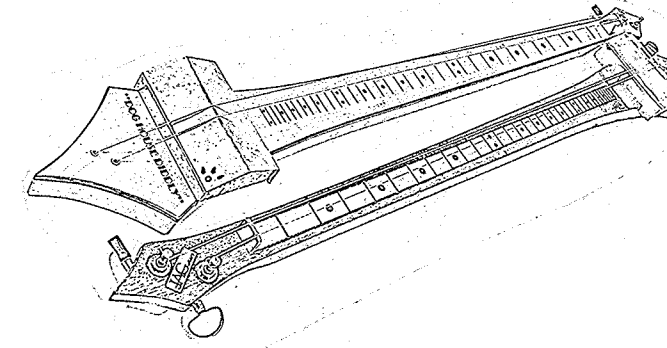
Website: www.johnanthonyguitars.com

JAGGuitars



Scale positions

Decals are available from JAGuitars.

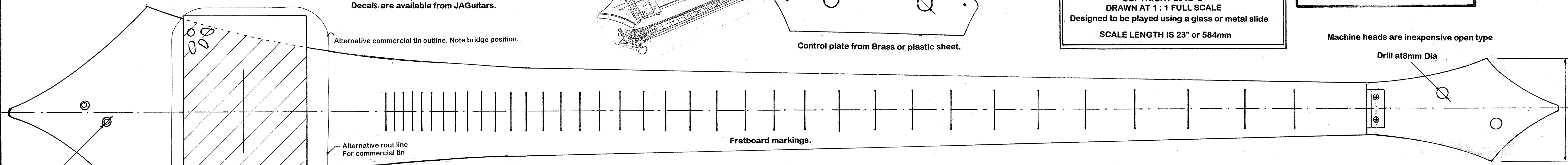


Control plate from Brass or plastic sheet.

"DOG HOUSE DIDDLEY"
ACOUSTIC/ELECTRIC DIDDLEY DO
 DESIGNED BY JOHN ANTHONY BLAKEY 2012
 COPYRIGHT 2012 C
 DRAWN AT 1 : 1 FULL SCALE
 Designed to be played using a glass or metal slide
 SCALE LENGTH IS 23" or 584mm

Plan No 042
 THESE DRAWINGS ARE SUBJECT TO COPYRIGHT AND MAY NOT BE COPIED, REPRODUCED, DIGITISED OR USED TO MASS PRODUCE ANY OF THE DESIGNS/IDEAS WITHOUT PRIOR AGREEMENT WITH JOHN ANTHONY GUITARS.

Machine heads are inexpensive open type

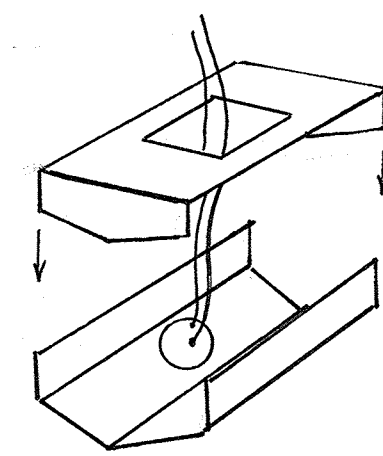


Alternative commercial tin outline. Note bridge position.

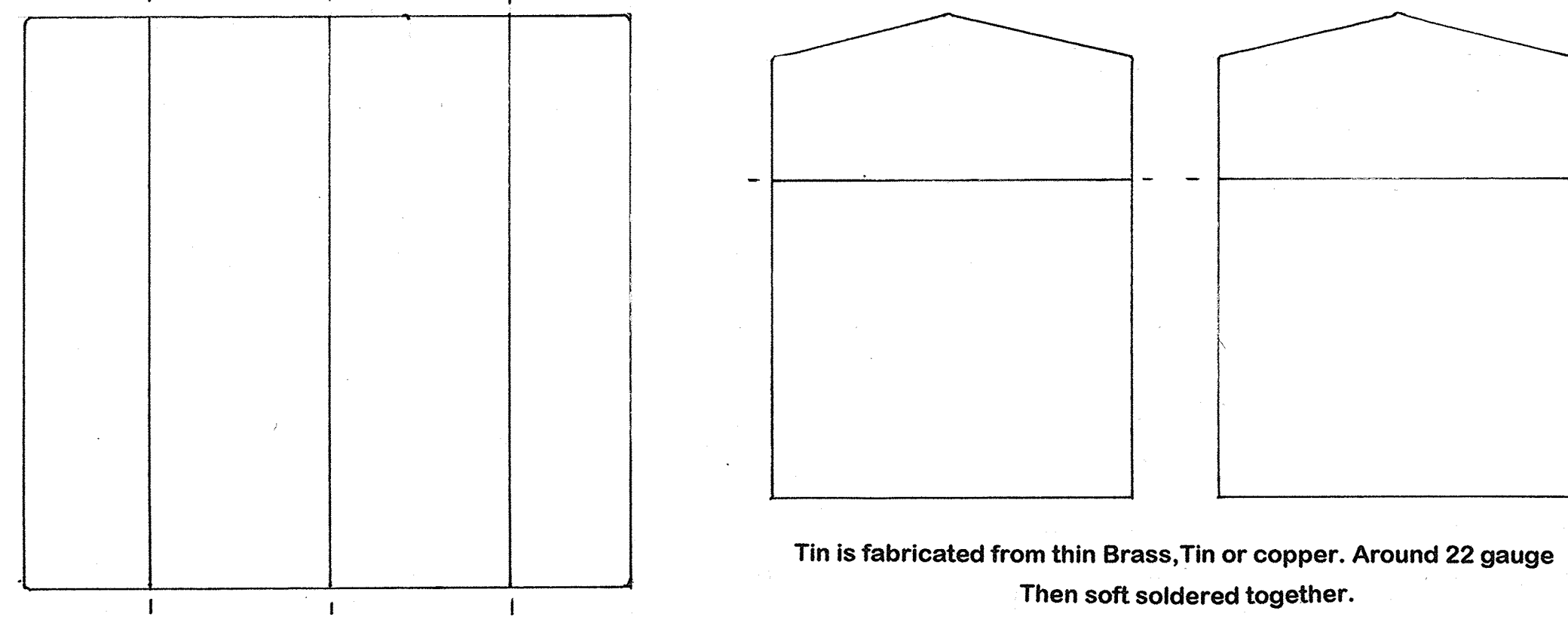
Alternative rout line For commercial tin

Fretboard markings.

Drill at 8mm Dia



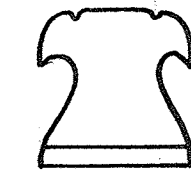
A piezo pickup can be fitted inside tin for loudest output and a real old style sound!



Tin is fabricated from thin Brass, Tin or copper. Around 22 gauge Then soft soldered together.

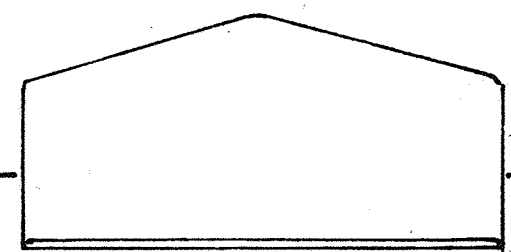
Alternatively, a thin rosewood or Maple fretboard could be made and inlaid At the fret positions with a contrasting timber.

If using a commercial tin, Make a bridge to this Shape from hardwood.

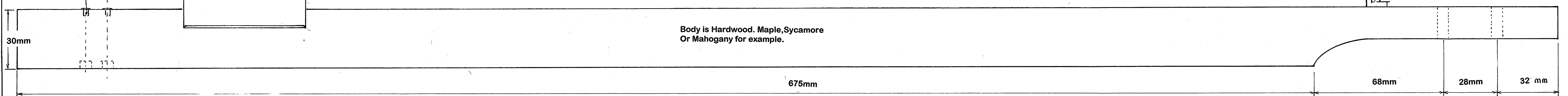


Nut is angle plate brass or alloy. Could be hardwood if required.

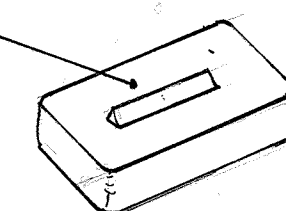
Ferrules inlaid into wood. as used in leather work. 3mm Dia



Body is Hardwood. Maple, Sycamore Or Mahogany for example.

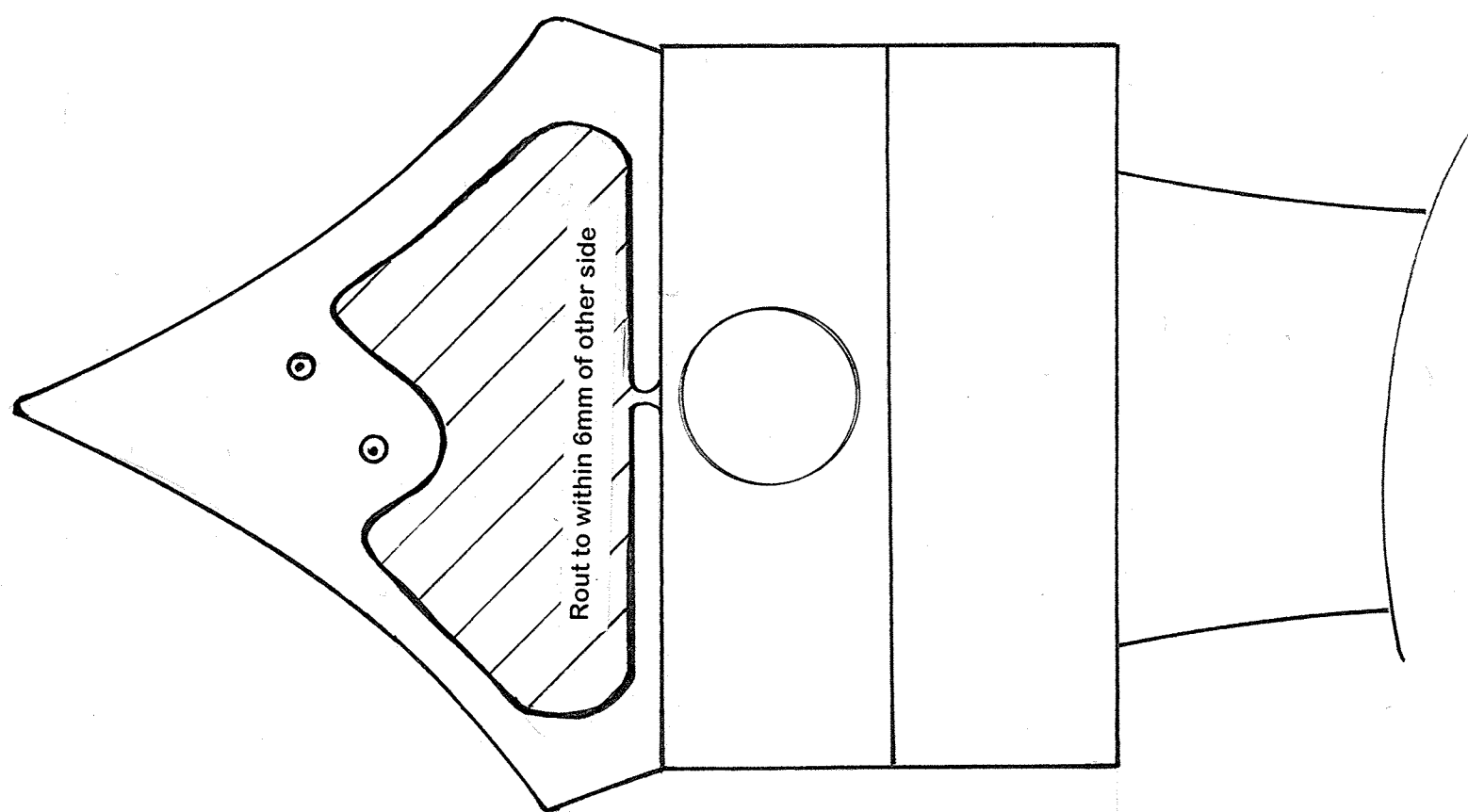


A commercial tin can be used If so a small wooden bridge should be made and placed on the top 584mm from the nut to retain the scale length.



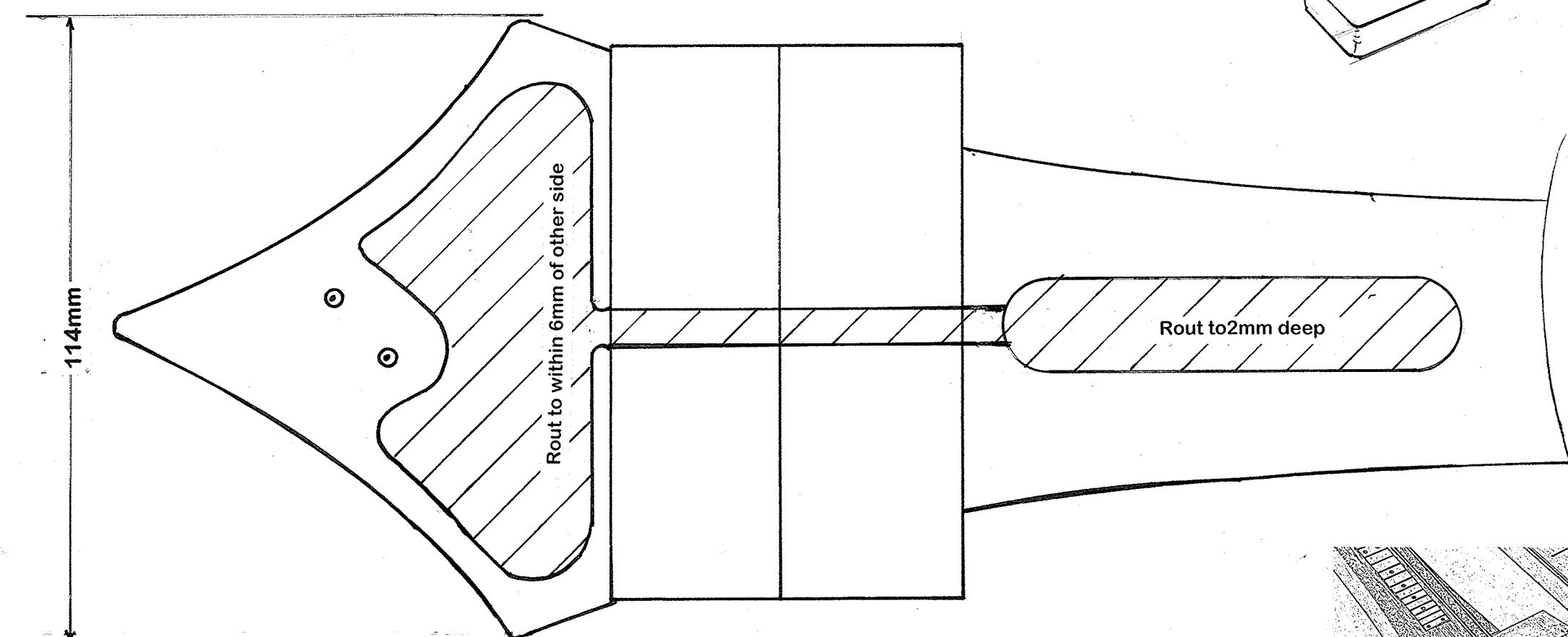
The strings can be tuned as required. I used A and D strings from a guitar on the acoustic version, tuned at guitar pitch (i.e A and D) The electric version used G and B again tuned as guitar, it is easy to experiment though, only two strings to tune!

The acoustic version can be acoustically amplified by placing on a box or table. See our Youtube Demos at jab4000, our youtube channel.

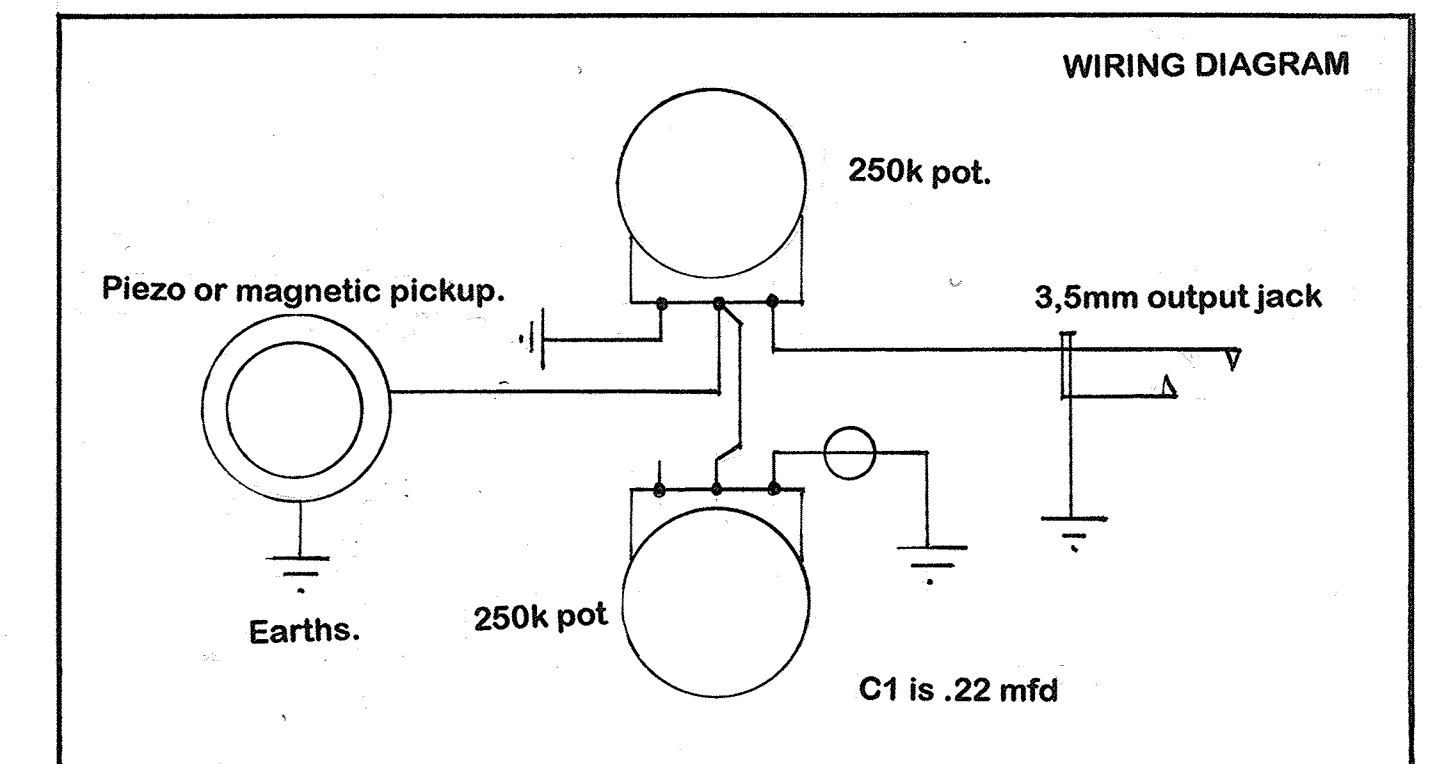


Piezo version rout pattern

Rout is 15mm deep



Magnetic (Lipstick) pickup version rout pattern



We sell Tins, pickups, Decals and machine heads direct from our site as well as many other items.