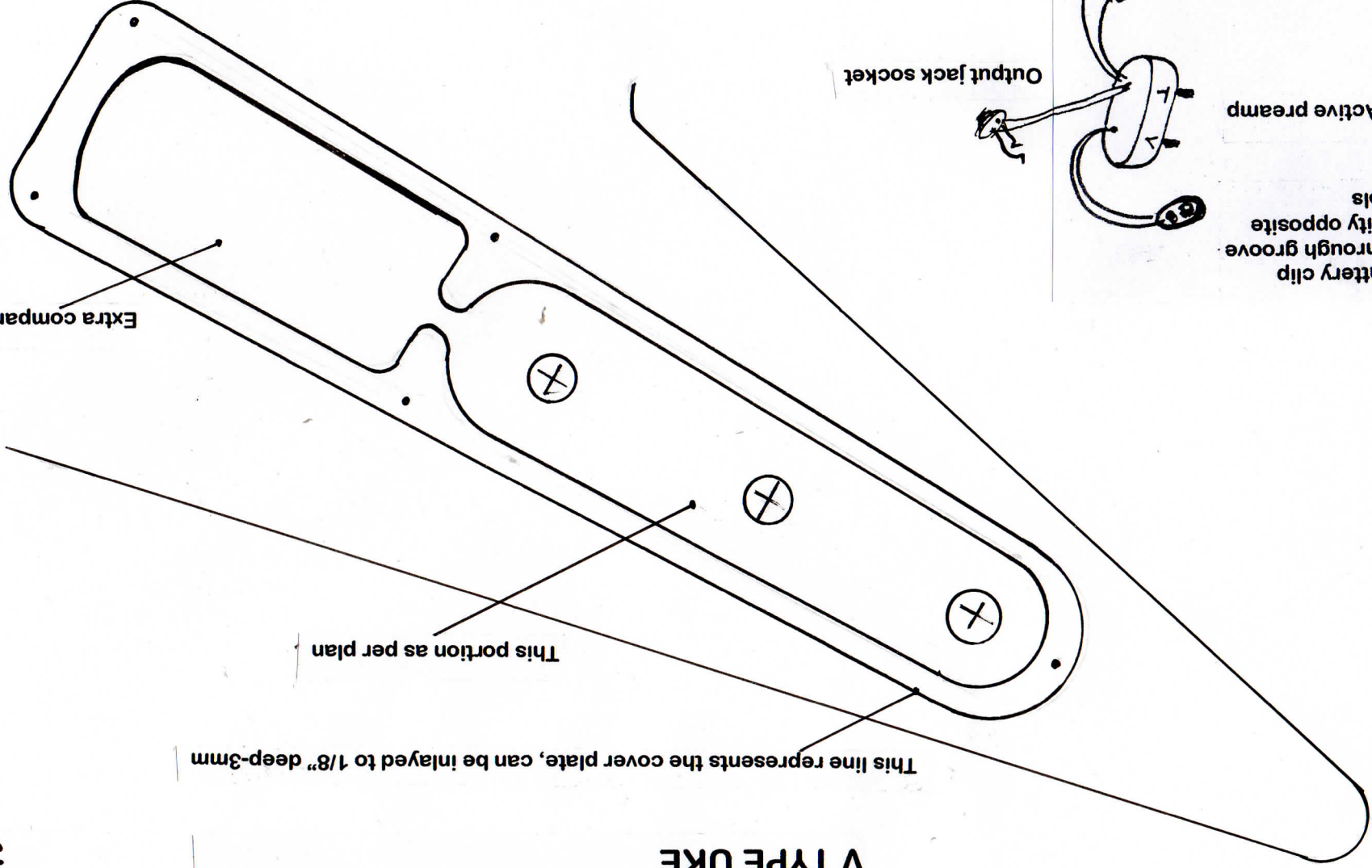


ACTIVE TONE CIRCUIT MODIFICATION V TYPE UKE



Extra compartment for 9v battery

This portion as per plan

This line represents the cover plate, can be inlaid to 1/8" deep-3mm

Cover plate is 1.5mm thick plastic (1/16")

PP3 battery clip
Pass through groove
To cavity opposite
Controls

Active preamp

Headphone out

Pickup input

Output jack socket

ACTIVE tone circuit is from
"VIRTUAL VILLAGE", China
Violin type

The headphone socket is not required and can be taped up